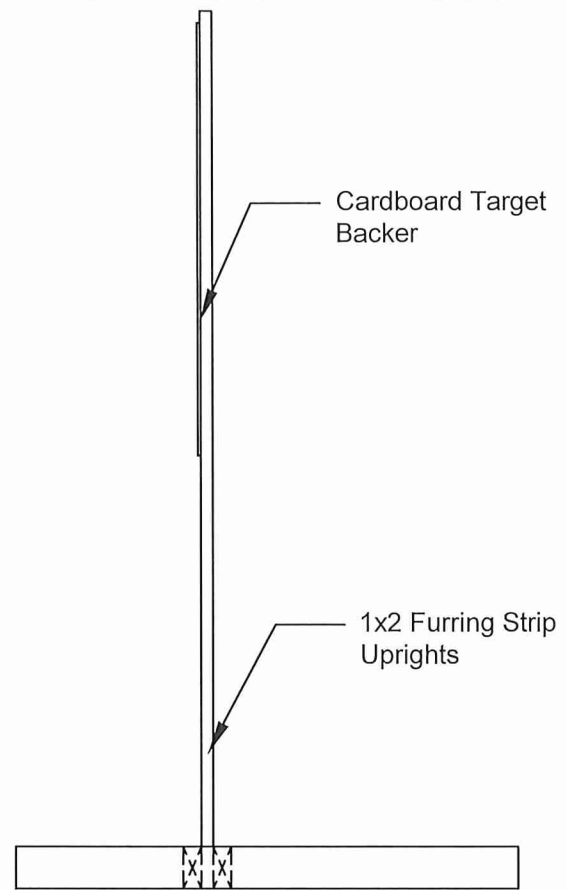
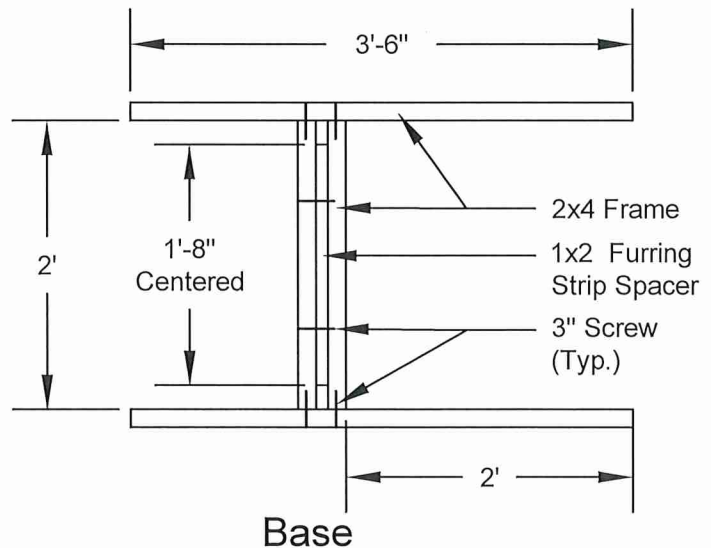


Front



Side



Base

Material List:

- 3 Qty, 2x4 Southern Yellow Pine 8' Lengths
- 2 Qty, 1x2 Furring Strips
- 1 Qty, 2' x 3' Piece of Cardboard for Target Backer
- 3" Screws
- Staples
- Sandbag

Tools:

- Staple Gun
- Drill with Driver Bit
- Handsaw

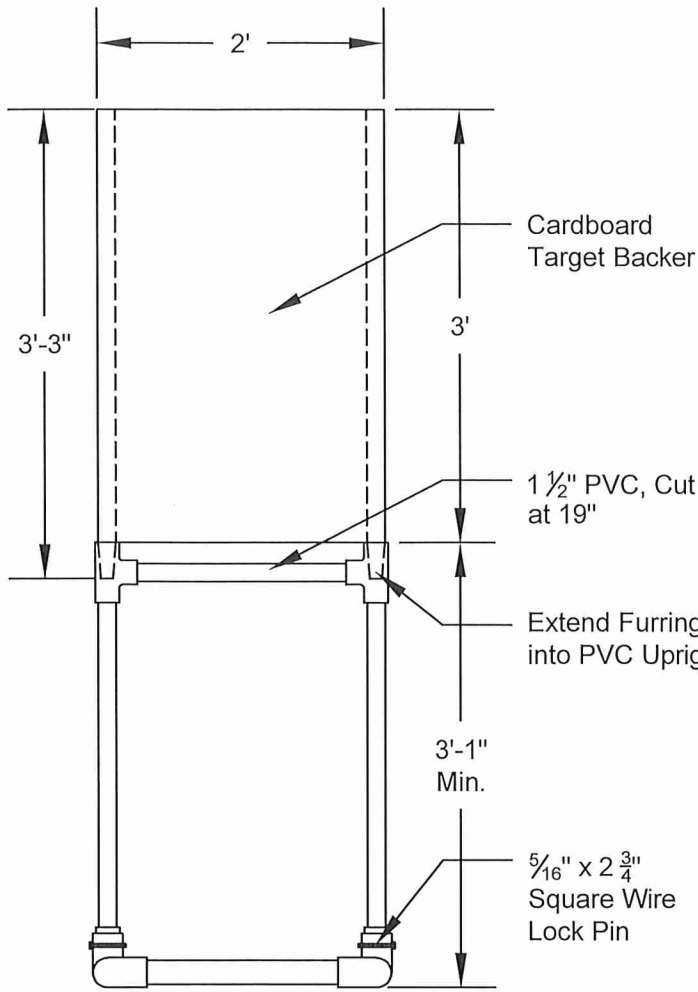
Directions:

- Cut all boards to the specified lengths shown on the plan.
- Layout Furring Strip Spacers, centered on the 2' 2x4 cross braces, pre drill your holes so the Furring Strips do not split out. and screw the boards together.
- Attach the 3'-6" 2x4 legs to the center cross braces you just produced.
- Mount the cardboard to the 6'-1" Furring Strips 3' up from the bottom. (to ease with transport this can be done at the range.) Add Sandbag to base for extra support during windy days.
- Stand the Furring Strips upright in the 2x4 base, and that's it. Mount your target to the cardboard and have fun shooting. Remember your gun safety and follow the rules of the Range.

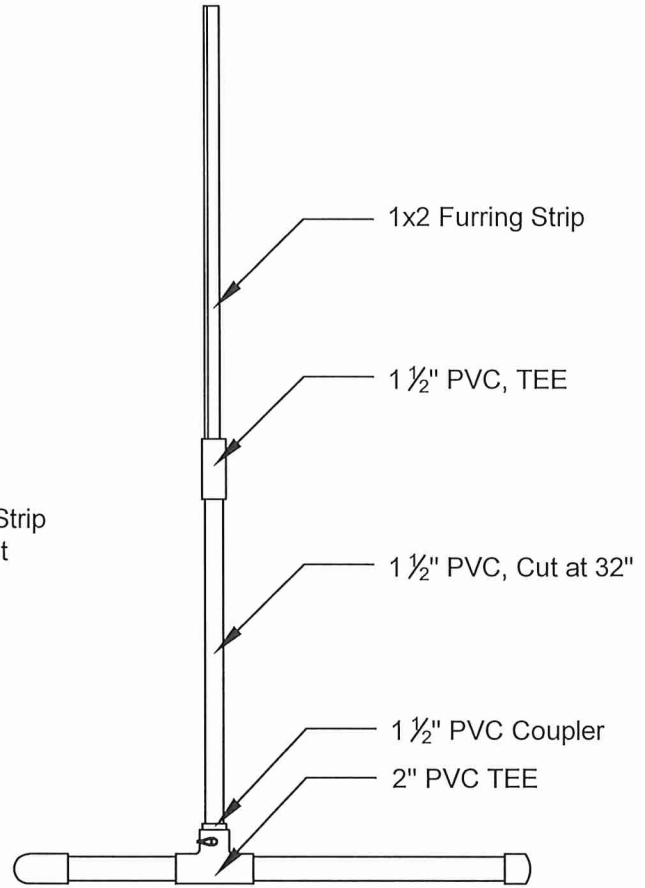


# Portable Target Stand, Wood Construction

Plans Courtesy Of: Linn County Conservation



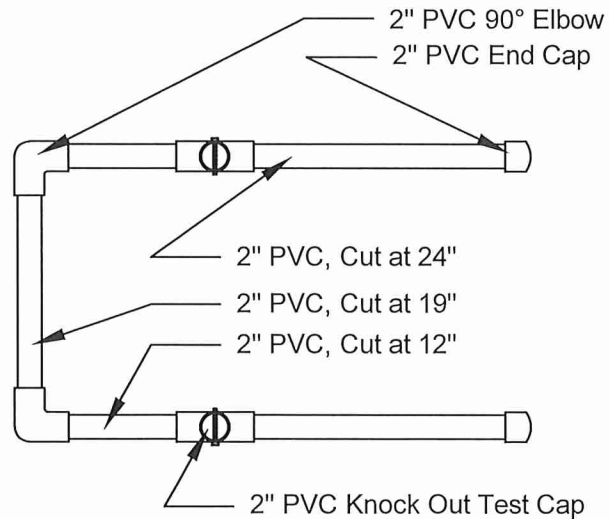
Front



Side

Materials:

- 1 Qty, 1 1/2" PVC Pipe, 10' Length
- 1 Qty, 2" PVC Pipe, 10' Length
- 2 Qty, 1 1/2" PVC TEE Connections
- 2 Qty, 1 1/2" PVC Coupler
- 2 Qty, 2" PVC 90° Elbow
- 2 Qty, 2" PVC TEE Connections
- 2 Qty, 2" PVC End Caps
- 2 Qty, 2" PVC Knock Out Test Caps
- 2 Qty, 5/16" x 2 3/4" Square Wire Lock Pin
- Pea Gravel Bag
- PVC Pipe Primer and Adhesive
- 1 Qty, 1x2 Furring Strip, 8' Length
- 3/8" Drill Bit



\* Fill PVC Base with Pea Gravel and use the 2" PVC Knock Out Test Caps to keep the Pea Gravel from spilling out.

Base



# Portable Target Stand, PVC Construction

Plans Courtesy Of: Linn County Conservation